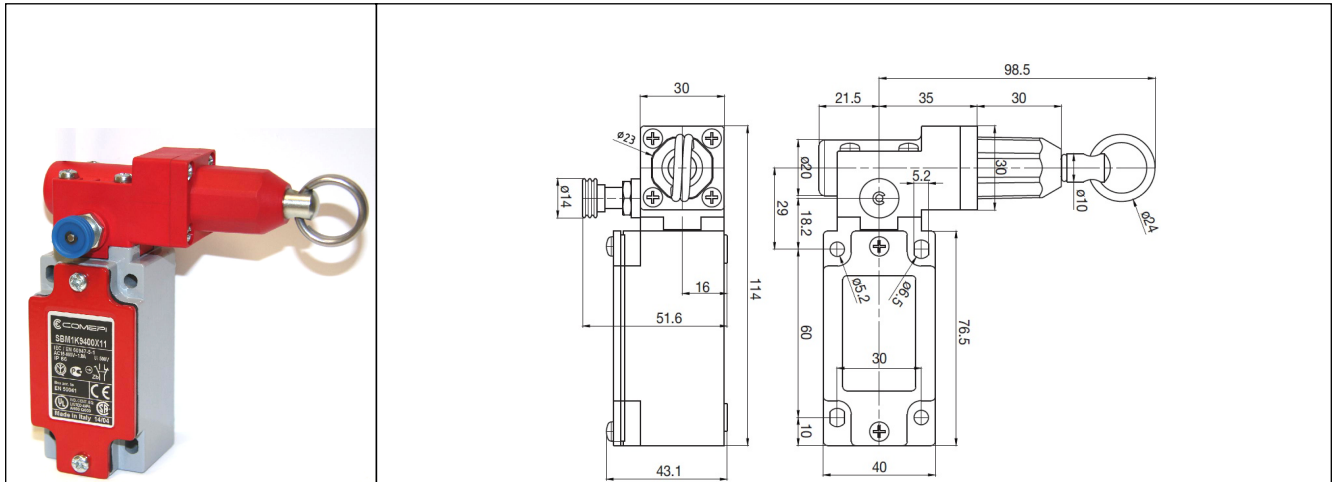
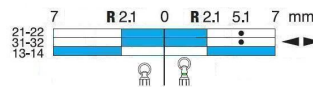
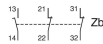


Code	Description
<b>SBM5K9400X12</b>	<b>Limit switch</b>
Casing	Safety limit switch - Aluminium casing IP66 - 40mm width - 1 cable inlet
Electical connection	Cable inlet(s) for M20x1,5 cable gland
Operation head	Right lateral pull wire with reset for emergency stop
Contacts	X12: Non overlapping slow action contacts 1NO+2NC



### Travel and Operation Diagram

X12: Non overlapping slow action contacts 1NO+2NC



Positive Opening  
Operation  
according to  
IEC 947-5-1



### General Technical Data

Standards		Metal Casing	
Devices conform with international IEC 947-5-1 and European EN 60 947-5-1 standards		UL - CSA - IMQ	
<b>Certifications - Approvals</b>		Class I	
<b>Air temperature near the device</b>		IP 66**	
- during operation	°C	- 25 ... + 70	
- for storage	°C	- 30 ... + 80	
<b>Protection against electrical shocks</b> (according to IEC 536)		Class I	
<b>Degree of protection</b> (according to IEC 529 and EN 60 529)		IP 66**	
<b>Rated insulation voltage <math>U_i</math></b>		500 V (degree of pollution 3) (400 V for contacts type X12P, X21P, W03P) A 600, Q 600 (A 300, Q 300 for contacts type X12P, X21P, W03P)	
- according to IEC 947-1 and EN 60-947-1			
- according to UL 508 and CSA C22-2 n° 14			
<b>Rated impulse withstand voltage <math>U_{imp}</math></b>	kV	6	
(according IEC 947-1 and EN 60 947-1)			
<b>Conventional free air thermal current <math>I_{th}</math></b>	A	10	
(according to IEC 947-5-1 and EN 60 947-5-1) $\theta < 40$ °C			
<b>Short-circuit protection</b>		10	
$U_e < 500$ V a.c. - gG (gl) type fuses			
<b>Rated operational current</b>			
$I_e$ / AC-15 (according to IEC 947-5-1)	24 V - 50/60 Hz	A	10
	120 V - 50/60 Hz	A	6
	230 V - 50/60 Hz	A	3.1
	240 V - 50/60 Hz	A	3
	400 V - 50/60 Hz	A	1.8
$I_e$ / DC-13 (according to IEC 947-5-1)	24 V - d.c.	A	2.8
	125 V - d.c.	A	0.55
	250 V - d.c.	A	0.27
<b>Switching frequency</b>	Cycles/h	3600	
<b>Load factor</b>		0.5	
<b>Resistance between contacts</b>	mΩ	< 25	
<b>Connecting terminals</b>		M3.5 (+, -) pozidriv 2 screw with cable clamp (M3 for 3 poles contacts type)	
<b>Terminal for protective conductor</b>		M3.5 (+, -) pozidriv 2 screw with cable clamp	
<b>Connecting capacity</b>	1 or 2 x mm <sup>2</sup>	0.75 ... 2.5 (0.34... 1.5 for 3 poles contacts type)	
<b>Terminal marking</b>		According to EN 50 013	
<b>Mechanical durability</b>	Millions of operations	30 } BM•E/P { 11...13; 21...23; 31...33 25 } { 41...44; 51...54; 61...75 10 } { 91...93; 99	

\*\* BM•E54 - P92 - E92 - P93 - E93: PROTECTION DEGREE IP65. - For the complete list of approved products contact our technical department.

IMQ listed values