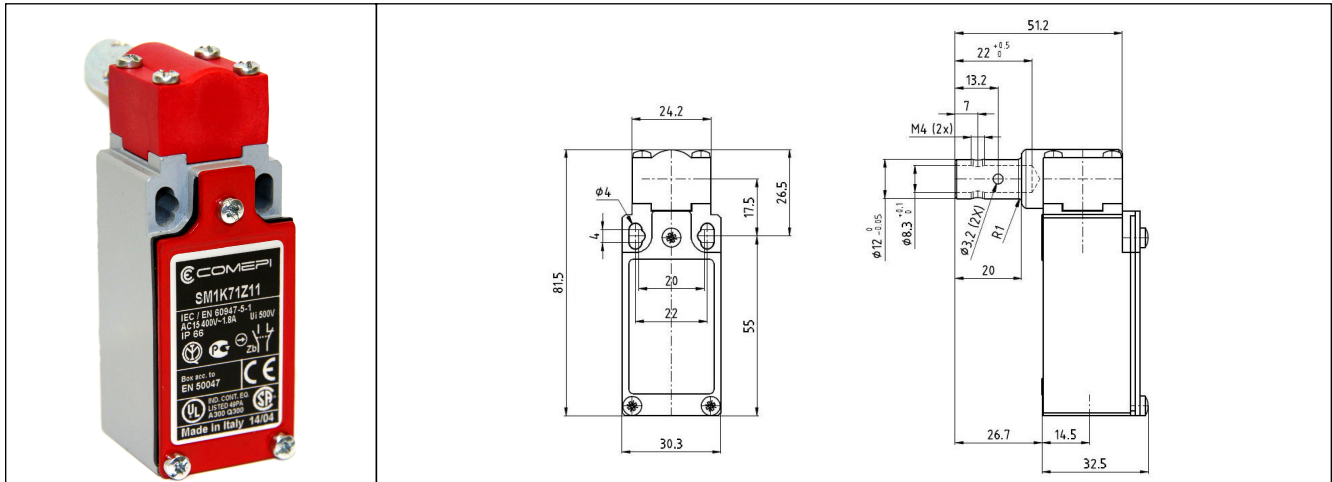
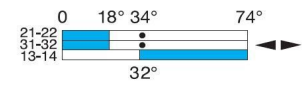



Code	Description
SM5K71X12P	Limit switch
Casing	Safety limit switch - Metal casing IP66 - 30mm width - 1 cable inlet
Electical connection	Cable inlet(s) for M20x1,5 cable gland
Operation head	Zinc plated steel shaft
Contacts	X12P: Non overlapping slow action contacts 1NO+2NC



### Travel and Operation Diagram

X12P: Non overlapping slow action contacts 1NO+2NC		Positive Opening Operation according to IEC 947-5-1 
--	--	---

### General Technical Data

Standards		Metal Casing									
Devices conform with international IEC 947-5-1 and European EN 60 947-5-1 standards		UL - CSA - IMQ									
<b>Certifications - Approvals</b>		Class I									
<b>Air temperature near the device</b>		IP 66**									
- during operation	°C	- 25 ... + 70									
- for storage	°C	- 30 ... + 80									
<b>Protection against electrical shocks</b> (according to IEC 536)		Class I									
<b>Degree of protection</b> (according to IEC 529 and EN 60 529)		IP 66**									
<b>Rated insulation voltage <math>U_i</math></b>		500 V (degree of pollution 3) (400 V for contacts type X12P, X21P, W03P) A 300, Q 300									
- according to IEC 947-1 and EN 60-947-1											
- according to UL 508 and CSA C22-2 n° 14											
<b>Rated impulse withstand voltage <math>U_{imp}</math></b>		6									
(according to IEC 947-1 and EN 60 947-1)											
<b>Conventional free air thermal current <math>I_{th}</math></b>		10									
(according to IEC 947-5-1 and EN 60 947-5-1) $\theta < 40$ °C											
<b>Short-circuit protection</b>		10									
$U_e < 500$ V a.c. - gG (gl) type fuses											
<b>Rated operational current</b>											
$I_e$ / AC-15 (according to IEC 947-5-1)	24 V - 50/60 Hz	A	10								
	120 V - 50/60 Hz	A	6								
	230 V - 50/60 Hz	A	3.1								
	240 V - 50/60 Hz	A	3								
	400 V - 50/60 Hz	A	1.8								
$I_e$ / DC-13 (according to IEC 947-5-1)	24 V - d.c.	A	2.8								
	125 V - d.c.	A	0.55								
	250 V - d.c.	A	0.27								
<b>Switching frequency</b>		3600 Cycles/h									
<b>Load factor</b>		0.5									
<b>Resistance between contacts</b>		< 25 mΩ									
<b>Connecting terminals</b>		M3.5 (+, -) pozidriv 2 screw with cable clamp (M3 for 3 poles contacts type)									
<b>Terminal for protective conductor</b>		M3.5 (+, -) pozidriv 2 screw with cable clamp									
<b>Connecting capacity</b>		0.75 ... 2.5 (0.34... 1.5 for 3 poles contacts type)									
<b>Terminal marking</b>		According to EN 50 013									
<b>Mechanical durability</b>		Millions of operations <table style="display: inline-table; vertical-align: middle;"> <tr> <td>15</td> <td rowspan="3">AM•F/T</td> <td rowspan="3">{</td> <td>11...12; 21; 30...34; 38</td> </tr> <tr> <td>10</td> <td>41...46; 51...55; 61...75</td> </tr> <tr> <td>&gt;5</td> <td>14; 35; 36; 39; 91...93; 98</td> </tr> </table>		15	AM•F/T	{	11...12; 21; 30...34; 38	10	41...46; 51...55; 61...75	>5	14; 35; 36; 39; 91...93; 98
15	AM•F/T	{	11...12; 21; 30...34; 38								
10			41...46; 51...55; 61...75								
>5			14; 35; 36; 39; 91...93; 98								

\*\* AM•F/T52 - 5200 - 55 - 5500 - 73 - 74: PROTECTION DEGREE IP65. - For the complete list of approved products contact our technical department.

